

SYSTEM **KAN-therm**

Press LBP

Innovativeness and uniqueness
- One system, six functions



EN 20/01



kiwa
Partner for progress



SKZ

DVGW
G E P R Ü F T

WRAS
APPROVED PRODUCT

SYSTEM KAN-therm Press is a modern, complete installation system consisting of composite polyethylene pipes with aluminum layer and plastic PPSU or brass fittings with a diameter range between 16 and 63 mm.

The „press” connection technology is based on pressing a stainless steel sleeve on the pipe mounted onto the fitting nozzle. The nozzle is fitted with O-ring seals that provide tight and trouble-free operation of the system.

Depending on the type and configuration of the pipe material SYSTEM KAN-therm Press LBP includes:

- multilayer pipes PE-RT / Al / PE-RT Multi Universal in the range of diameters 16–40 mm
- multilayer pipes PE-Xc/Al/PE-Xc Multi Universal in the range of diameters 50–63 mm
- PE-Xc pipes with anti-diffusion coating in the range of diameters of 16–20 mm
- PE-RT pipes with anti-diffusion coating in the range of diameters of 16–20 mm

Scope of application:

- indoor plumbing systems,
- central heating and cooling systems,
- all kinds of radiant heating and cooling (floors, walls and ceilings),
- heating and cooling systems for outdoor spaces (playing fields and ice rinks),
- various industrial systems (e.g. compressed air) – after consultation with KAN-therm.

TECHNOLOGY OF SUCCESS

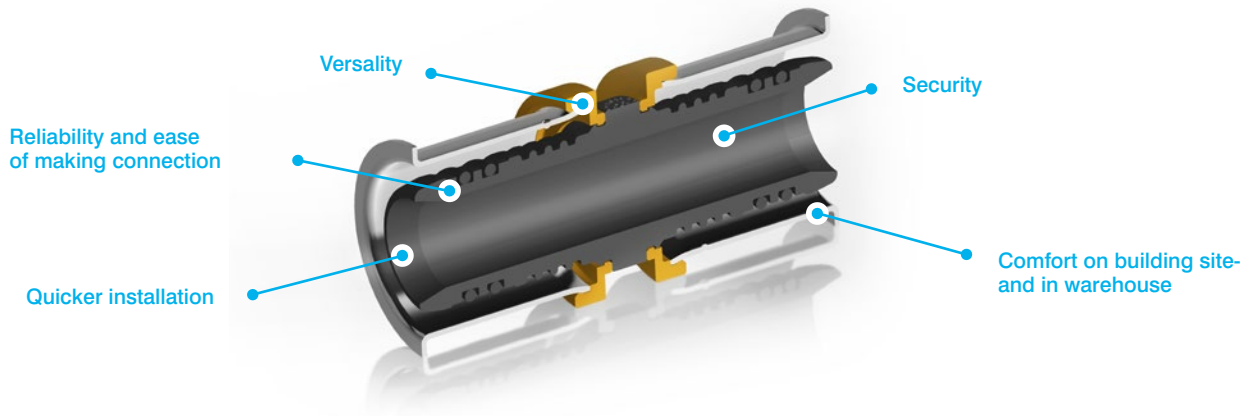


www.kan-therm.com

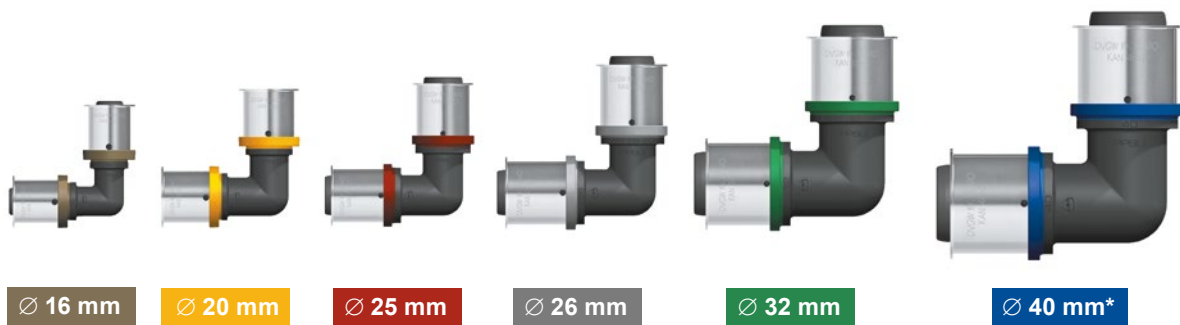
ISO 9001

Modern and unique in its structure, SYSTEM KAN-therm Press LBP is the only technical solution on the market that offers 6 functions in one setup:

1.	LBP System	Unpressed connection signaling function (16–32 mm diameters).	<input checked="" type="checkbox"/>
2.	Versatility	Possibility to use jaws with two crimping profiles: U and TH.	<input checked="" type="checkbox"/>
3.	Safety	Special design stainless steel sleeve forces automatic correct placement of the crimping jaw.	<input checked="" type="checkbox"/>
4.	Comfort	Safe and easy installation by eliminating the need for calibration and chamfering.	<input checked="" type="checkbox"/>
5.	Compatibility	Possibility to use composite PE-RT/Al/PE-RT, PE-X/Al/PE-X pipes and homogenous PE-Xc and PE-RT pipes.	<input checked="" type="checkbox"/>
6.	Identification	Easy identification of the fitting's diameter thanks to the plastic colored rings.	<input checked="" type="checkbox"/>



Each fitting with a diameter of 16–40 mm has a special plastic ring, whose color depends on the diameter of the connection. This makes it easier to identify fittings and speed up work at construction sites and in warehouses



* Fiting of 40 mm in diameter do not have the function of leakage control.

LBP System (Leak Before Press) - leak at the unpressed joints.

Mistakenly not pressed connection is signaled by a leak during filling installation with water, even before pressure test – in accordance with the guidelines of the DVGW. This allows for quick and easy location of not pressed joints, even in very difficult construction conditions.



KAN Group
e-mail: kan@kan-therm.com